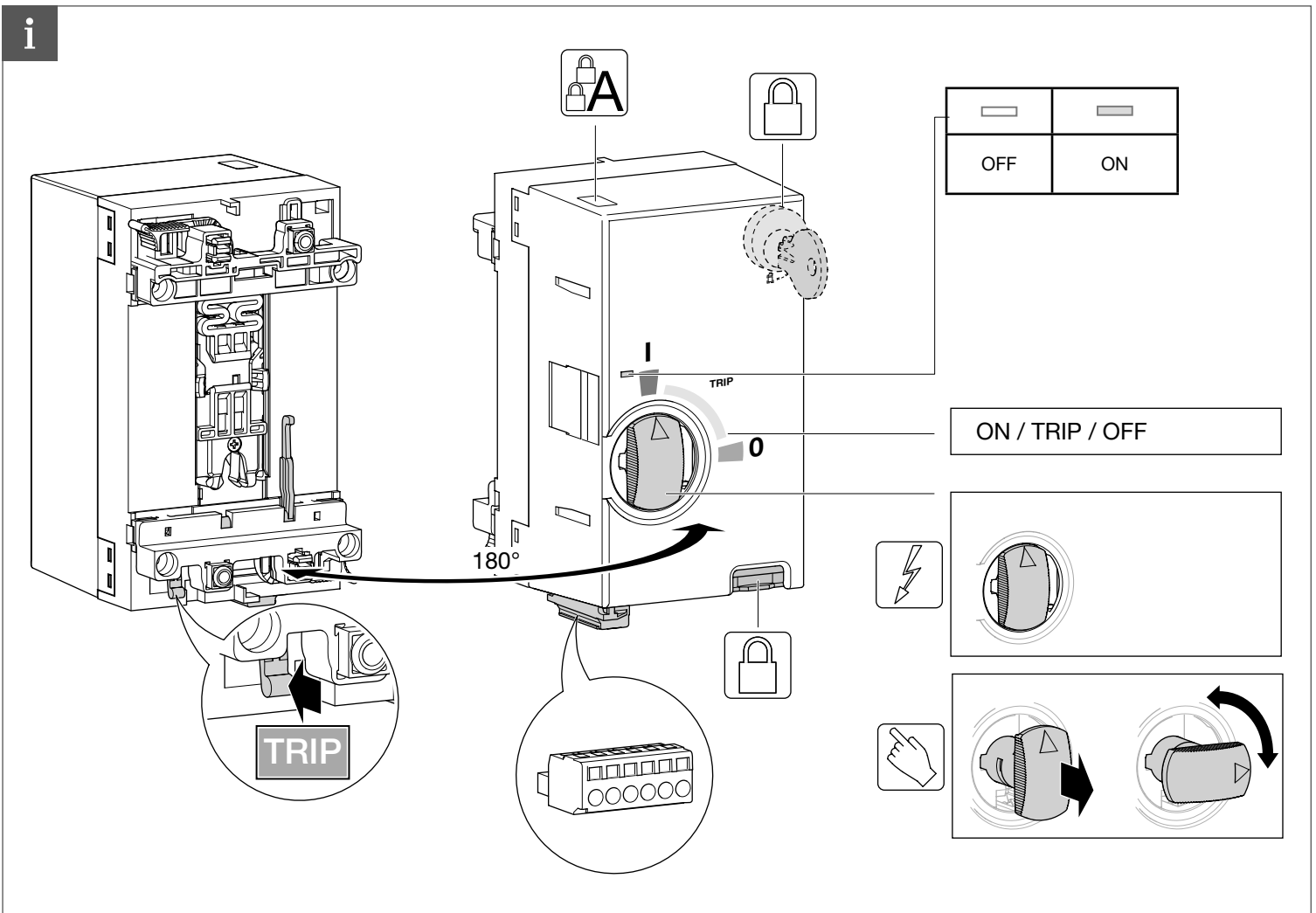
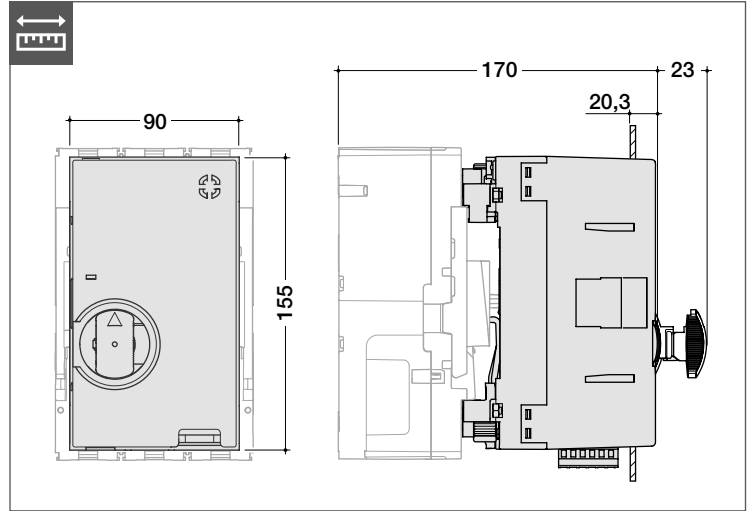
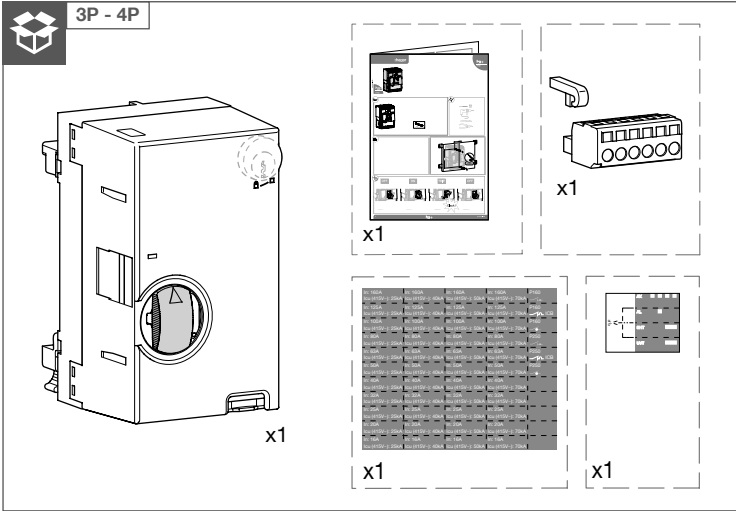
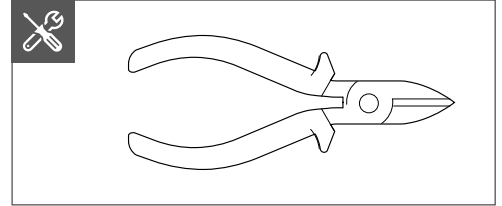
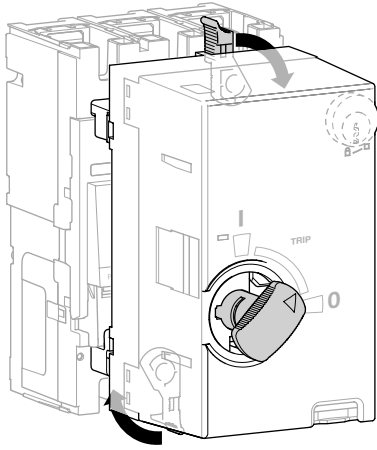


P250

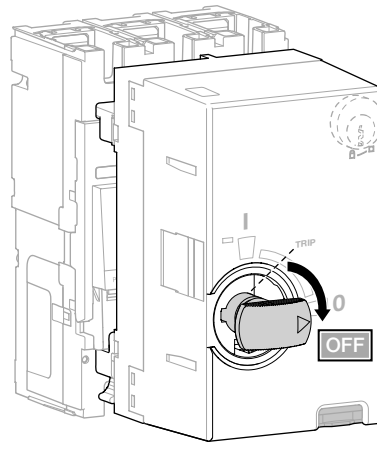




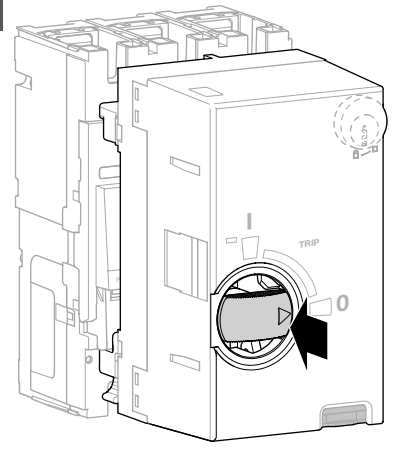
09



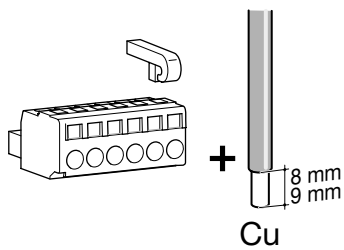
10



11

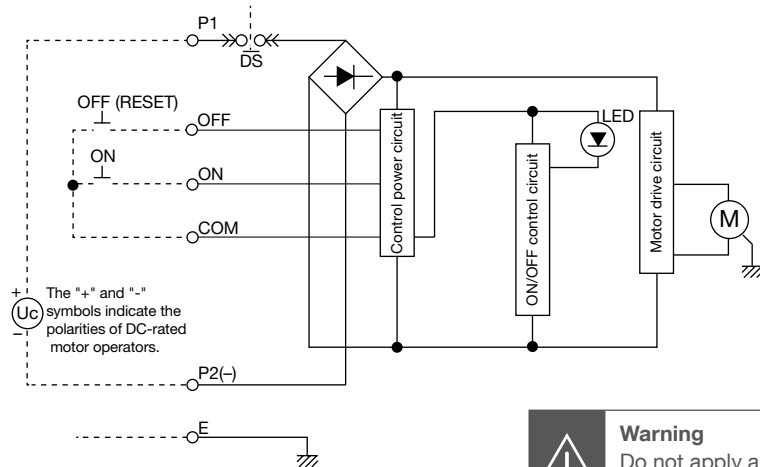
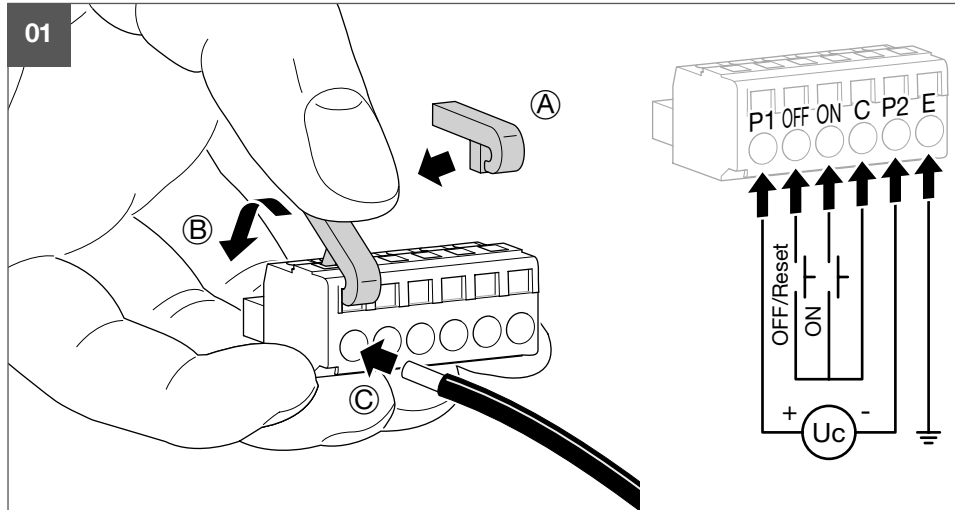


00



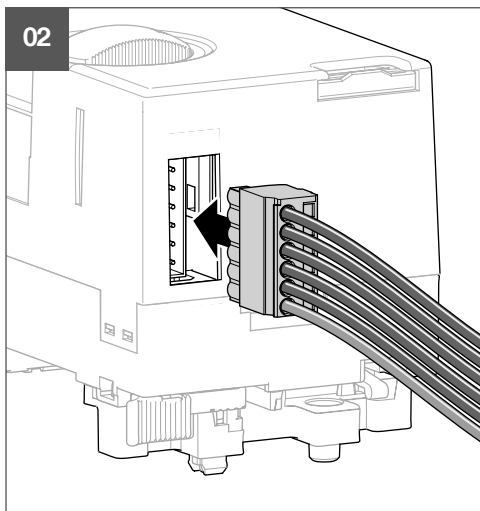
	min.	max.
	(mm <sup>2</sup> )	
	0,8	2

01

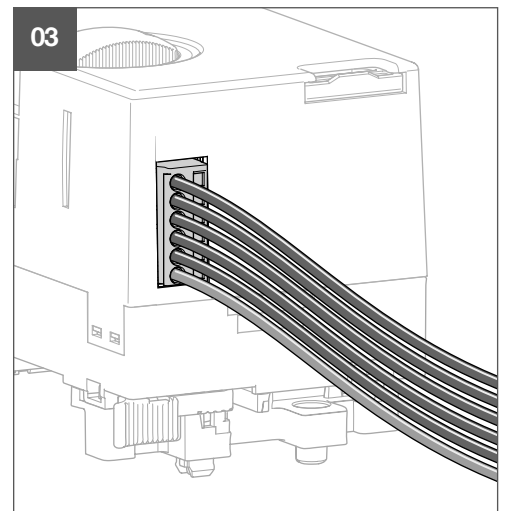
**Warning**

Do not apply any voltage to terminals "ON", "OFF" and "C". Otherwise, burn could result.

02



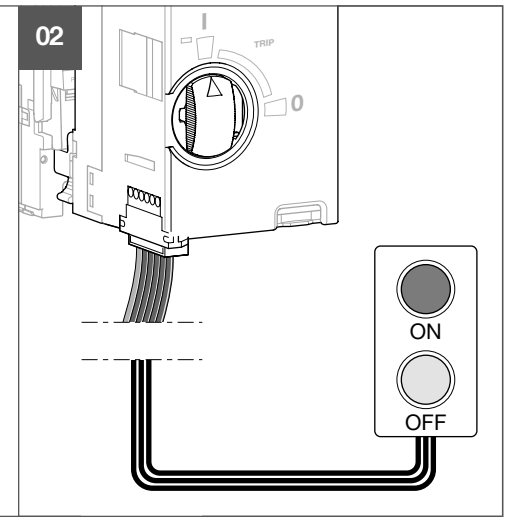
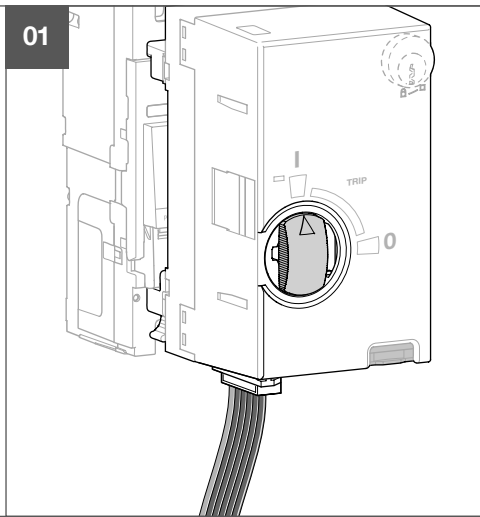
03



**⚙️**

**⚡**

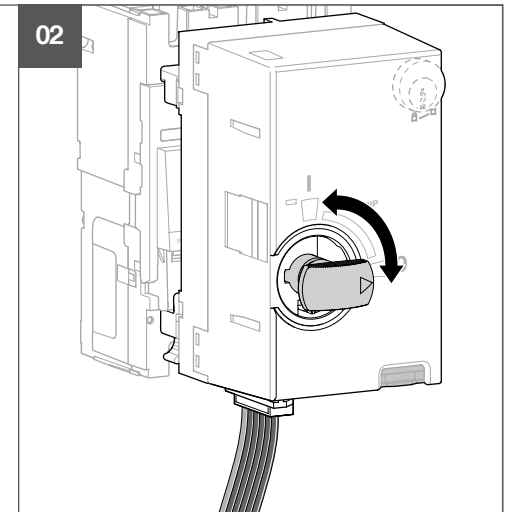
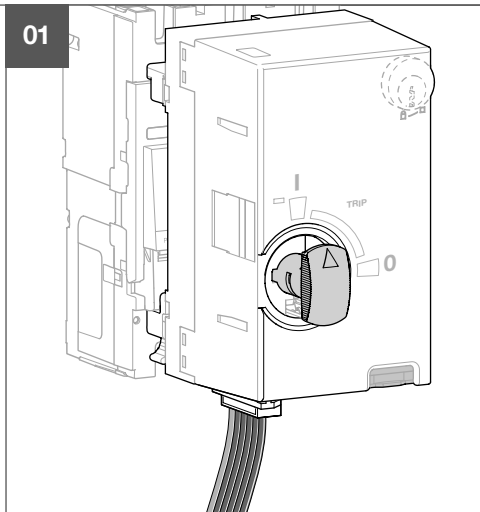
①	ON	✓	
②		✓	
③		✓	



**⚙️**

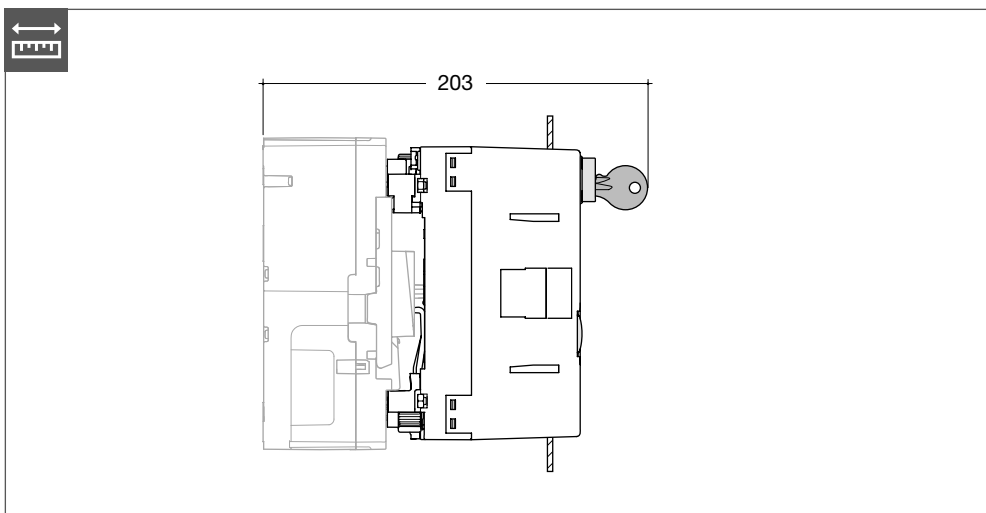
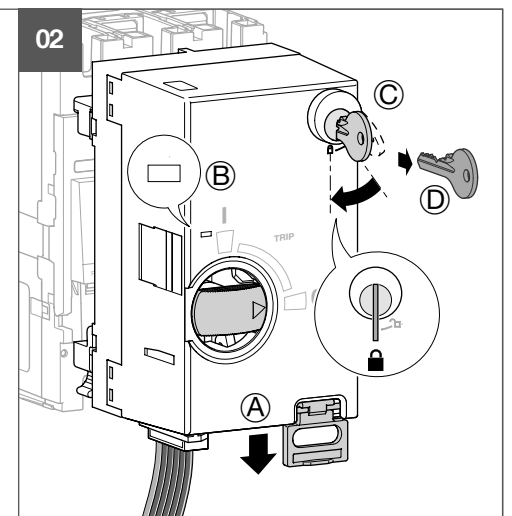
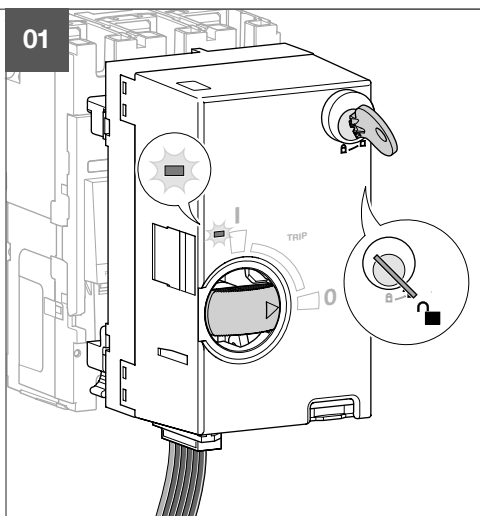
**👉**

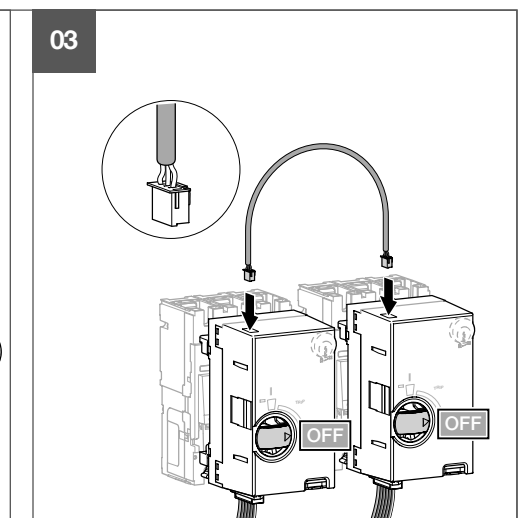
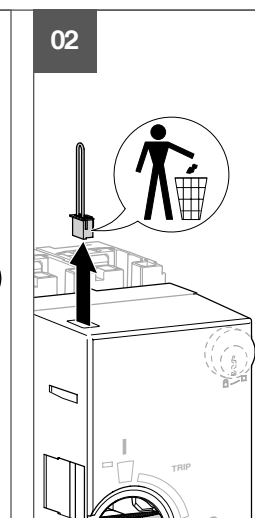
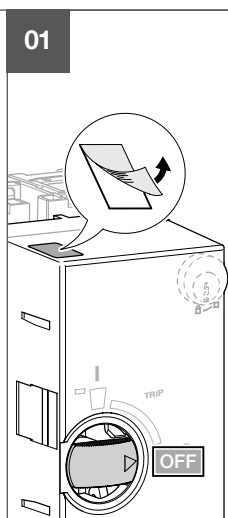
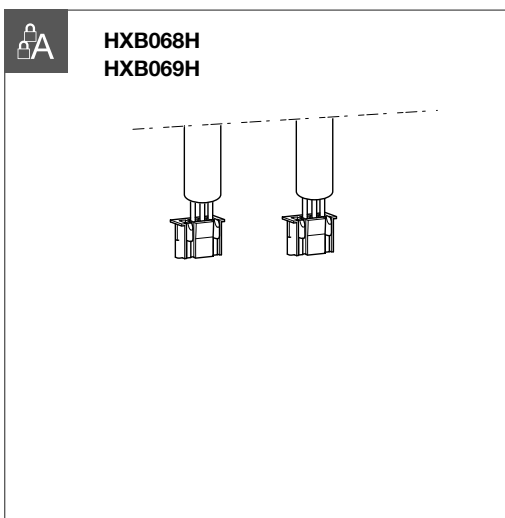
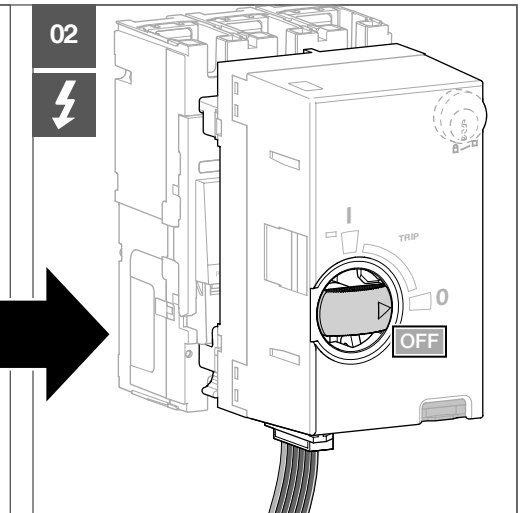
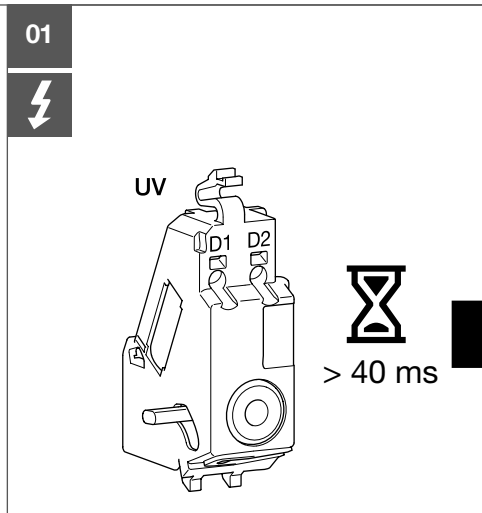
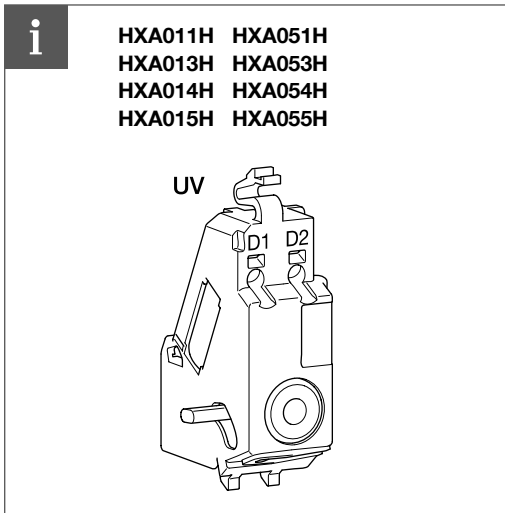
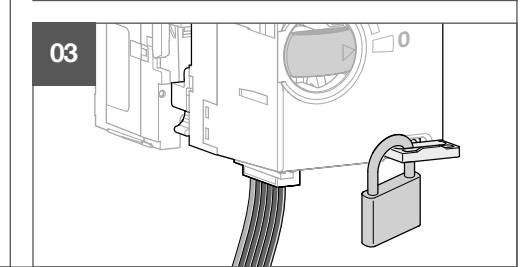
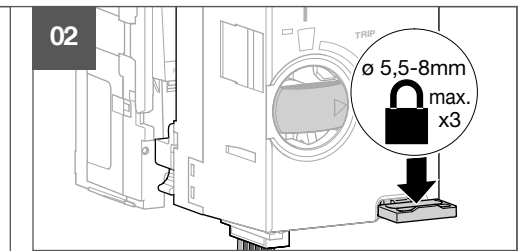
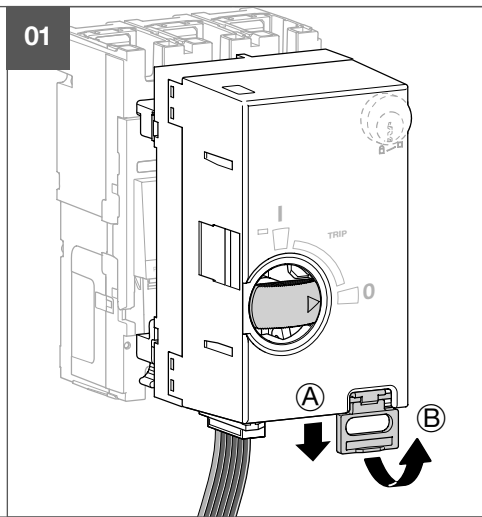
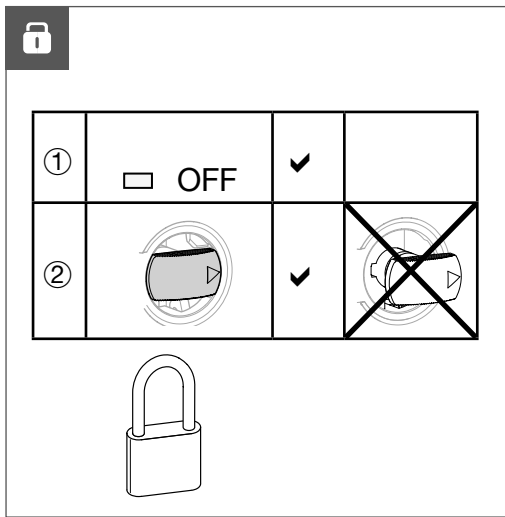
①	OFF	✓	
②		✓	
③		✓	



**🔒**

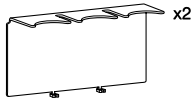
①	OFF	✓	
②		✓	



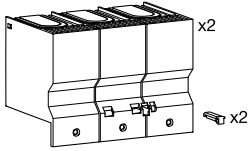




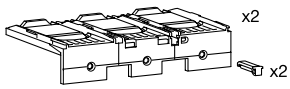
HYT050H (3P)  
HYT051H (4P)



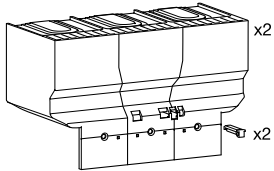
HYT021H (3P)  
HYT022H (4P)



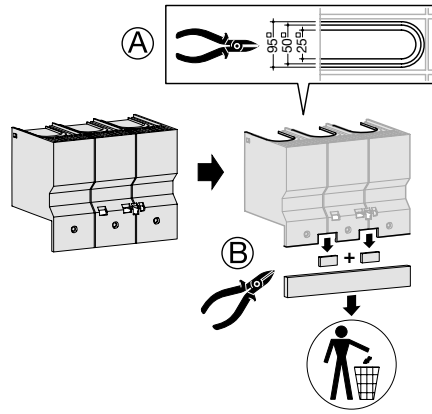
HYT025H (3P)  
HYT026H (4P)



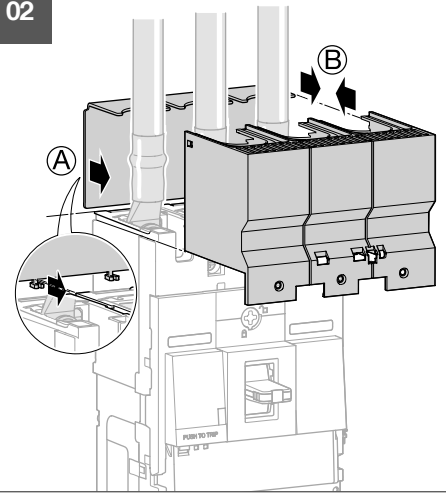
HYT023H (3P)  
HYT024H (4P)



01



02



03

